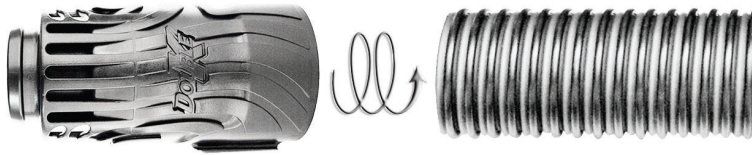


NOZZLE ASSEMBLY INSTRUCTIONS

Installing nozzle body on dryer hose:

Screw the nozzle body onto the hose in counter-clockwise motion. Nozzle body may be used alone, with a handle or with any of the included nozzle tips.



Installing and removing handle:

Locate the key at the rear of the nozzle body and position the handle behind the key. Insert the key into the slot on the top of the handle. To remove the handle, slide the handle backwards away from the nozzle body.



Attaching nozzle tips: Face the front of the nozzle body towards the back of the nozzle tip. Press the nozzle tip firmly on the nozzle body until the nozzle tip locks into place. Check if it is secure by gently pulling the nozzle tip and nozzle body.



How to remove a nozzle tip: Gently squeeze the nozzle tip while pulling the nozzle tip away from the nozzle body.

Attachment List

Attachment	P/N	Description	Qty.
	825-6	1½" Hose Black on Blue	1
	2036	Hose to Dryer 1½" Locking Adapter	1
	2079	1½" Airgonomic Nozzle Body	1
	2079-H	Nozzle Handle	1
	2079-TAS	Air Sweep Nozzle Tip	1
	2079-THV	Hi-Velocity Nozzle Tip	1
	2079-TSHV	Super Hi-Velocity Nozzle Tip	1



INSTRUCTION MANUAL

PLEASE READ ALL INSTRUCTIONS AND SAFETY PRECAUTIONS BEFORE OPERATING PRODUCT.

SAVE FOR FUTURE REFERENCE. WARRANTY PERTINENT CONTENT.

**Product Specifications:
Model - AIRMAX®**

Voltage: 115v	Voltage: 230v
Amperage: 16.4	Amperage: 9.5
Hertz: 60	Hertz: 50/60
Wattage: 1886	Wattage: 2185
Horse Power: 3 each motor	
Motor Air Volume: 123 CFM each	Motor Air Volume: 123 CFM each

9711 Mason Avenue, Chatsworth, CA 91311
 (818) 772-2887 • (800) 821-9449 • fax: (818) 886-0218
 www.DoubleKIndustries.com • info@DoubleKIndustries.com

IMPORTANT SAFEGUARDS

WARNING: IMPORTANT SAFETY PRECAUTIONS. PLEASE READ COMPLETELY BEFORE USING PRODUCT.

When using electrical appliances, especially in the presence of children or animals, basic safety precautions should always be followed to reduce the risk of fire, electric shock, and personal injury, including but not limited to the following:

DO NOT TURN ON DRYER WITHOUT FIRST HOLDING THE DRYER HOSE as the air volume from the dryer can cause the hose to whip or move rapidly and may cause injury.

1. Do not leave dryer OR animal unattended while in use.
2. Unplug unit when not in use.
3. Do not use extension cords with dryer.
4. Do not unplug unit by pulling on cord.
5. Do not expose dryer to rain or water.
6. Do not use or store dryer where it can fall or be pulled into tub, sink or standing water. If dryer falls into water . . . UNPLUG IT . . . Do not reach into the water!
7. Unplug unit before attempting any maintenance or service.
8. The 230 volt version of this appliance has an earth connection for functional purposes only.
9. Do not put any object into dryer openings.
10. Keep loose clothing, jewelry and hair away from dryer intake.
11. Do not direct dryer air towards eyes or ears of people or pets.
12. Never use dryer if it has a damaged cord or plug, has been dropped, damaged or exposed to rain or water. Return to **Double K Industries** or an Authorized Service Center for service.
13. This dryer should not be used as a cage dryer, for cage drying please consider our model 560 Cage dryer.
14. This product is for use on animals only.
15. Recommended operation by adults only. Use caution when working around children.
16. Do not use attachments not recommended by **Double K Industries**.
17. Do not operate without filters in place. Keep filters clean, as dirty filters limit air intake and may damage the motor or cause overheating.
18. Only plug into a properly grounded receptacle. Always make sure the amperage of the electrical outlet is sufficient for the amperage rating of the product. (See Product Specifications on front page for amperage rating of this product).
19. Do not use product for anything other than its intended purpose.
20. Do not attempt to perform any service or maintenance not outlined in instruction manual.
21. Do not attempt any product modifications or alterations. Do not use, if any parts or switches are damaged. Send to an Authorized Service Center or **Double K Industries** for service.
22. When servicing, use only **Double K Industries** parts.

WARNING: DISCONNECT POWER SUPPLY BEFORE SERVICING
AVERTISSMENT: COUPER L'ALIMENTATION AVANT L'ENTRETIEN ET LE DÉPANNAGE

INSTRUCTIONS

After assembly, hold nozzle and turn on dryer. Maximum operating temperature is reached in about one minute but effective drying begins immediately. Generally dry from the top of the animal, with a side-to-side sweeping motion, holding the nozzle downwards to keep displaced water away from areas already dried. Hold the drying nozzle at a downward angle and move either front-to-back or back-to-front, making sure to progress toward parts of the animal that are still wet.

MOTOR BRUSHES

Your **CHALLENGAIR AirMax®** has two brush-type motors. The brushes should be checked for wear after approximately 500 hours of use. If the carbon brushes are worn shorter than 1/4 inch, the brushes should be replaced. Brushes may be ordered from **Double K Industries** or an Authorized Service Center (you will need 2 sets, 1 set for each motor). Please be sure to specify that your dryer is an **AirMax®**, as the brushes are slightly different from one dryer model to another.

To check and/or replace brushes:

1. Unplug electrical cord from wall outlet.

Disassembly:

2. Slide off the back cover from the dryer by lifting tabs and pulling back off.
3. Remove all screws on the outside of the dryer that hold the two halves of dryer housing in place. Remove the o-ring on the snout of the dryer. It may be best to lay the dryer on its side while removing these screws. Lift off the top half.
4. Each motor will be sitting in place inside the rubber silicone motor mounts. Removing the rubber silicone motor mounts from the motor is not necessary to replace brushes.
5. Disconnect the motor power wires. Note where wires connect.
6. **Front motor:**
 - A. Loosen the two brush assembly retainer screws (Fig. 3, Ref # 3) to loosen the brush assembly retainer (Fig. 3, Ref # 2). Remove the brush assembly (Fig. 3, Ref # 1) and replace it with a new one. (Note: IMPORTANT - the brush has a small tab on the bottom that MUST be fitted into the slot on the motor frame for proper positioning) (Fig. 3, Ref # 4)
 - B. After the new brush assembly is seated, tighten the brush assembly retainer screws.
 - C. Repeat steps A-B for the brush on other side of motor.

Rear motor:

- A. Follow steps A-C above, as outlined for the front motor.

Reassembly:

7. Inspect the motor mounts for cracks or damage -- replace with new motor mount if damaged. Set the motors back into their original positions in the dryer housing. Each motor mount has slots that fit over corresponding alignment tabs on the inside of the dryer housing. These slots and tabs must match up for proper fit and function. (Note: In the event that the motor mount is removed from the motor, simply replace it by being mindful to align the contours of the motor mount with corresponding contours on the motor housing.)
8. Reattach the screws around the outside of the dryer making sure the two halves are matched up.
9. After the two halves of the dryer housing have been put together, replace motor filter on back motor and push the end cap onto the rear of the dryer until tabs lock. Replace exterior filter onto end cap. Always make sure all filters are in place before operating dryer. Replace o-ring on snout.

Fig. 1 Side

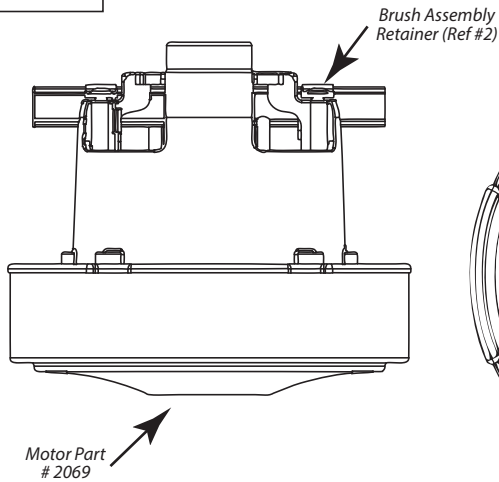


Fig. 2 Top

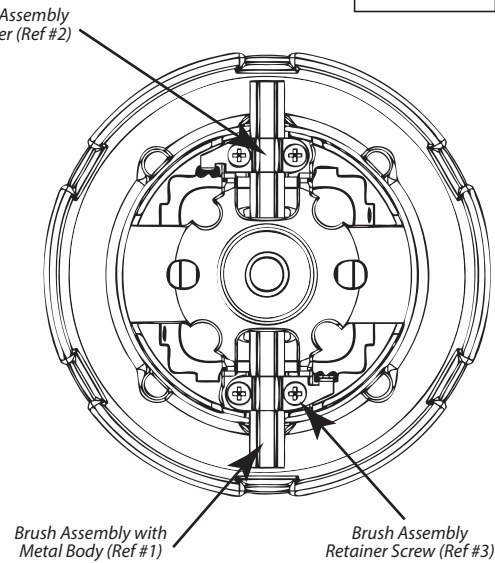
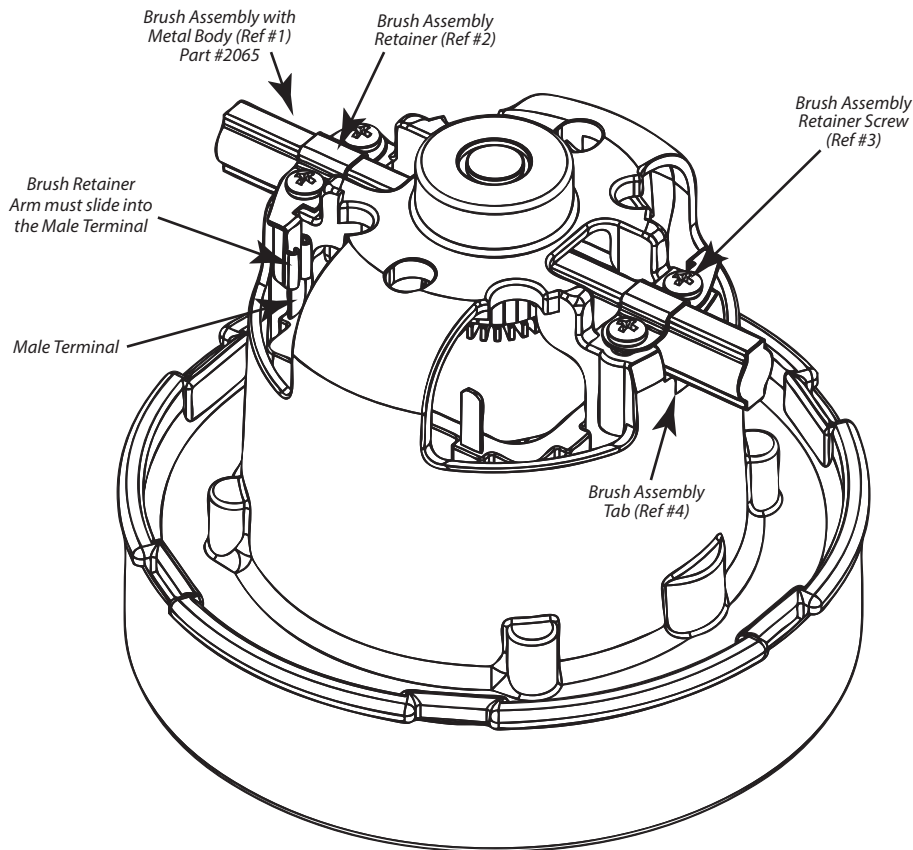


Fig. 3 Top Down



Congratulations!

You've just purchased the **Double K CHALLENGAIR AirMax®** Forced Air Dryer, which produces warm, high velocity air under pressure to make your animal grooming tasks easier. Your new dryer is designed to provide long, reliable service.

Please read this manual carefully and completely before beginning operation of your dryer and keep in a convenient and safe place for future reference.

A warranty card is included with your dryer and should be filled out completely and mailed to **Double K Industries** within 30 days of the purchase date of your dryer to validate your warranty. Online registration is available at www.DoubleKIndustries.com

Your **CHALLENGAIR AirMax®** has a two-year warranty covering the unit against defects in materials and workmanship. Regular maintenance items such as brushes and filters are not included (see warranty card for complete warranty information). It is also important to retain your sales receipt as proof of purchase should service ever be needed.

Your **CHALLENGAIR AirMax®** has two brush-type motors. It is important that the brushes be changed when they become worn down to prevent damage to your dryer motor (brushes are maintenance components and are not covered under the warranty). We suggest checking motor brushes after every 500 hours of dryer use. Please see section on BRUSHES in this manual for instructions.

A NOTE ABOUT HEAT: Your **CHALLENGAIR AirMax®** has no heating element. The **CHALLENGAIR AirMax®** produces heat by a "flow-thru" motor system, meaning the air is pushed through the motors and is warmed by the natural heat of the motors that occurs during operation. This means greater electrical savings and efficiency for you. The dryer will reach its maximum air temperature after about 2-4 minutes of operation. (Note: The higher the room temperature, the warmer the air from the dryer will be.)

ASSEMBLY

To attach hose to dryer: Your dryer hose has a black adapter that will screw onto the hose in a counter-clockwise motion. The adapter with hose attached then fits onto the dryer with a half-twist motion that locks the adapter onto the dryer.

First, place the adapter over the snout of the dryer with the Double K logo facing up, then turn the hose counter-clockwise until the adapter locks in place. The Double K logo should then be sitting horizontally.

To remove hose from adapter: Turn the hose clockwise.

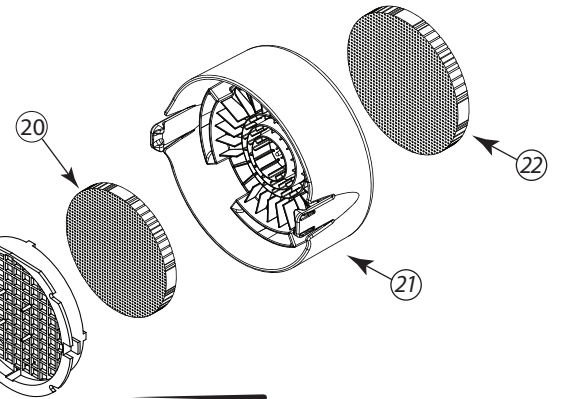
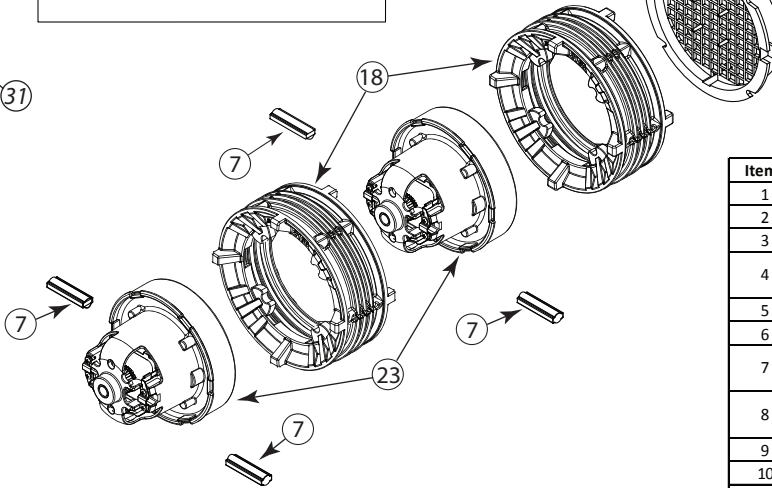
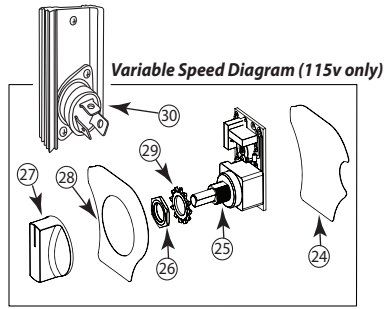
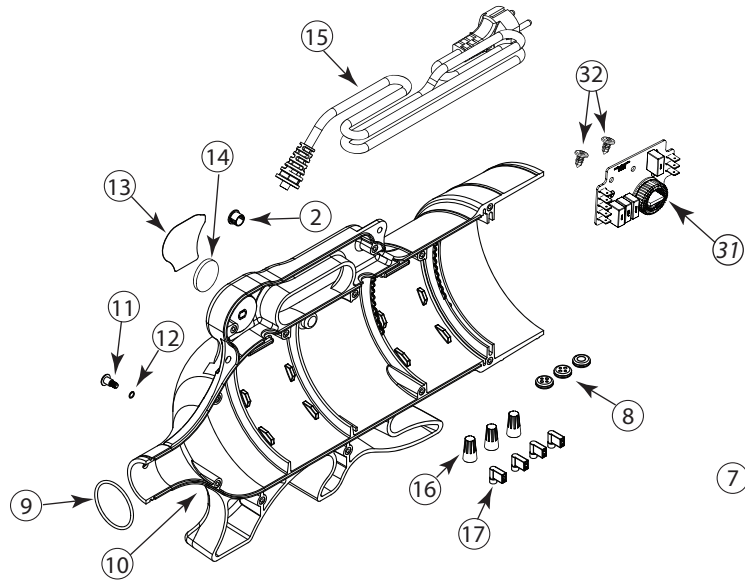
ATTACHMENTS: Your dryer is equipped with one hose, 1 twist-on Airgonomic™ nozzle, 1 Airgonomic™ nozzle handle, and 3 Airgonomic™ nozzle tips. To attach nozzle to the hose, twist counter-clockwise. Twist clockwise to remove. The nozzle handle slides on and off the nozzle raised track. When attaching or removing the handle, take care to keep fingers away from the nozzle body toward the handle bottom. To attach nozzle tips, "rock" the attached tip off, and the new tip on. See Attachment List on page 8.

OPERATION - Switches and Controls:

1. **2-Speed:**
 - a. **Low Speed / Standard Heat** - Turn on the top motor switch.
 - b. **High Speed / High Heat** - Turn on both motor switches.
2. **Variable Speed (optional) - IMPORTANT: Do not use with power inverter system**
 - a. **Maximum Output** - Turn the dial speed control clockwise to its maximum.
 - b. **Variable Output** - Turn the dial speed control clockwise to desired air output.
 - c. **Off Position** - Turn the dial speed control counter-clockwise until it clicks off.

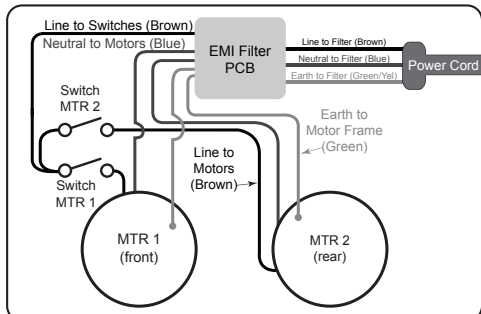


MODEL AIRMAX[®] EXPLODED DIAGRAM

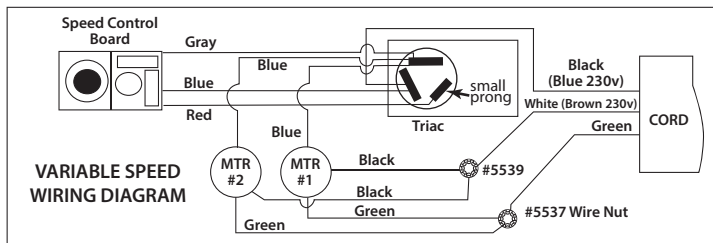
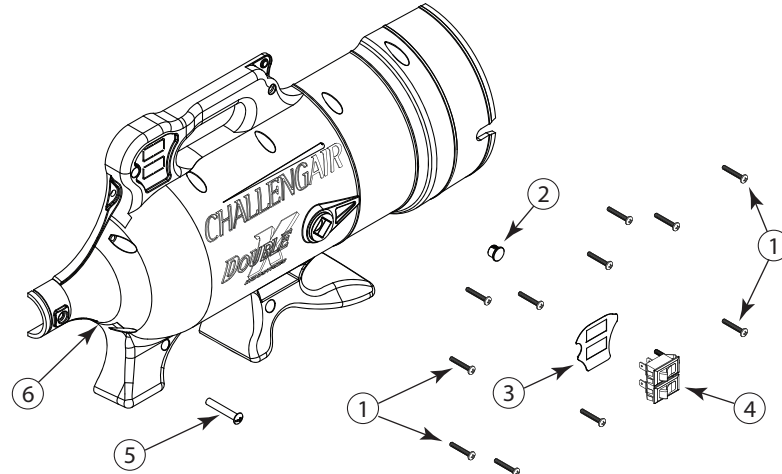


AIRMAX[®] PARTS LIST

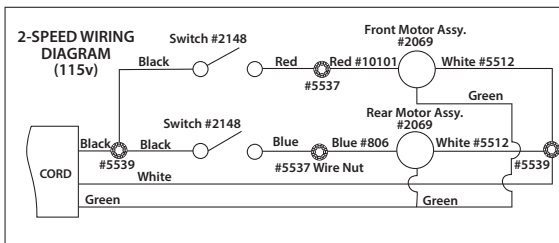
Item#	Part#	Description	Qty.
1	2163	Screw 2600 Series Housing	12
2	2123	Housing Plug (models w/o stand)	2
3	2603	Decal, AirMax [®] Switch Side	1
4	2148	Switch Rocker 20A 125VAC 2-Pos	2
	2637	Rocker Switch SPST 20A 230v 2-Pos. (AC/DC)	
5	2198	Barrel Bolt (1/4 Barrel 24 Thread)	1
6	2157FR-1	Long Black Housing, Right Side	1
7	2065	Motor Brushes, 115v	4
	2214	Motor Brushes, 230v	
8	2159	Wire Grommet, 4-Hole: 115v / 230v	2/1
	2105	Wire Grommet, Single Hole (230v only)	1
9	2108	Housing O-Ring for Hose Adapter	1
10	2157FR-2	Long Black Housing, Left Side	1
11	2197	Screw, 1/4 Shoulder (#10-24 Thread)	1
12	2131	Shim .24 OD x .190 ID x .015	1
	2221	Decal, 115v AirMax [®]	
	2222	Decal, 230v AirMax [®] CE	
14	2187	Cork Disk Filler	1
	881-3	Assy. Cord Set 115v	
	403	230v GB Cord Set UK-Ireland	
	404	230v China Cord Set	
	405	230v Eur. Cord Set Continental Europe	
	408	230v Aus/NZ Cord Set	
15	5539	Nut, Orange Hard Plastic Wire (115v only)	3
17	2119	Blue Terminal Flag 16-14ga (115v/230v)	4/6
18	2160	Silicon Rubber Molded Motor Mount 115v	2
	2164	Silicone RubberMolded Motor Mount 230v	
19	2191	Internal Filter Housing	1
20	2196	Internal Filter	1
21	2622	End Cap Assembly (incl. 5538 and 2009)	1
22	2223	External Filter	1
23	2069	Motor 120v AirMax [®] 5.1" Single Stage	2
	2081	Motor 230v AirMax [®] 5.1" Single Stage	
24	2215	VS Decal, 115v AirMax [®] , Product Data Side	1
25	2168	Speed Control Board (115v)	1
26	2145N	Nut, Rheostat Speed Control - VS	1
27	5509	Knob Switch Black	1
28	2217	Decal VS Pot Side: Variable Speed Units	1
29	2153	3/8 External-Tooth Lock Washer	1
30	640-1	Triac (115v), Assy. w/ Heat Sink	1
31	2173	EMI Filter Board	1
32	7020	Screw #8x 5/16 PPH	2



2 SPEED 230 VOLT AIRMAX[®] WIRING DIAGRAM



VARIABLE SPEED WIRING DIAGRAM



2-SPEED WIRING DIAGRAM (115v)